

## LX26 系列组合行程开关

### 产品性能

LX26系列组合行程开关为自动复位组合行程开关(以下简称开关)。本开关有缓冲装置,寿命高。

该开关在交流50~60Hz,电压至380伏或直流电压至220伏的控制电路中,作为控制机床运动机构的行程,减速、换向及越位保险之用。该开关广泛应用于龙门刨床及其它类似的机床设备之上。

该开关具有下列特点

- 具有瞬时换接触头,换接速度快,灵敏度高;
- 安装方便,调整简单,安装精度高;
- 使用寿命长,可靠性好;
- 具有防护外壳,能够防止水、油、尘土及异物侵入其开关内部。

### 使用条件

海拔高度普通型不超过2500米,湿热带型不超1000米。周围空气温度:不同海拔高度的最高空气温度见表,最低空气温度普通型为-25℃,湿热带型为0℃。

在开关铝合金壳体内部的中间部位,平行安装着两根多台阶的推杆,每根推杆的顶端装有滚动轴承,在推杆两侧,分别对称装置着JLXK1-411行程开关,(-6H型装6只,-8H型装8只)籍以控制机床工作台的行程、减速、换向及越位保险等。

海拔高度(米) elevation(m)	$h \leq 1000$	$1000 < h \leq 1500$	$1500 < h \leq 2000$	$2000 < h \leq 2500$
最高空气温度(℃) max.air temperature	40	37.5	35	32.5

### 行程开关的规格型号(Specifications & model)

型号(type)	型式(model)
LX26-6H	防护式能自动复位普通型 Protective Automatic Reset common type
LX26-6H/TH	防护式能自动复位湿热带型 Protective automatic reset wet beat type
LX26-8H	防护式能自动复位普通型 protective automatic reset common type
LX26-8H/TH	防护式能自动复位湿热带型 Protective automatic reset wet heat type

### Performance

LX26 Series compound Limited Switch is the automatic reset compound switch. Being equipped with buffer, it's long in service life.

It's used in AC circuits of 50~60Hz, with a voltage up to 380V and DC circuits of the voltage up to 220V. It serves to control the travel, reduction, reversing and offside of the working elements of machine tools. It's also widely applicable to double housing planer and similar machines.

It has features as follows, Fast to change the contact, high insensitivity. Easy to mount, convenient to adjust, adjust, high in precision Long in service life, reliable & smooth. Its shield cover protects against water, oil dust and other foreign matters.

### Limitation of Application

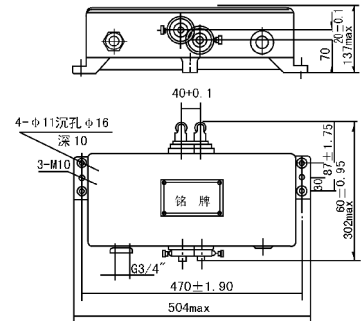
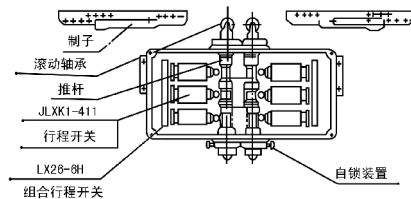
For common type, it's not allowed to use at an elevation beyond 2500m and for wet-heat type, not beyond 1000m. Ambient temperature: see the table. The min. temp. for common type is -25℃ and 0℃ for wet-heat type

There are two multi-stage push rod parallelly mounted in central part of Al-alloy cover of the switch. Each push rod has rolling bearing on the top, and JLXK-411 limited switches symmetrical on both sides (6 sets if -6H type and 8 sets if -8H type). By this structure, it can control the travel, reduction, reversing and like moves of the machine tools.

### 行程开关的动作特性(Technical Data & Index)

产品型号 type	动作行程travel					超动作行程 super motion travel	动作力 motion force (kgf)
	总行程	第一级行程	第二级行程	第三级行程	第四级行程		
LX26-6H LX26-6H/TH	$\geq 22$	4-6	12-14	20-22	-	$\geq 2$	$\leq 8$
LX26-8H LX26-8H/TH	$\geq 30$	4-6	12-14	20-22	28-30	$\geq 2$	$\leq 10$

#### LX26-6H



#### LX26-8H

